

# MASAI

---

Design by  
Lievore Altherr Molina



# Masai

## Collection overview

---

### Type



Armchair — 4 legs



Armchair — Trestle swivel



Armchair — Trestle fixed



Armchair — 5 aluminum ways



Armchair — 5 aluminum ways

---

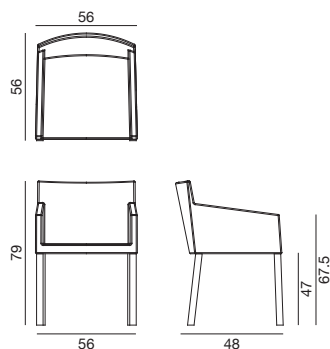
### Stitching



Standard stitching  
for leather version

# Masai

Design by Lievore Altherr Molina, 2001



Armchair with upholstered four-leg frame. The polyethylene shell is upholstered in leather, faux leather, fabric or customer's material.

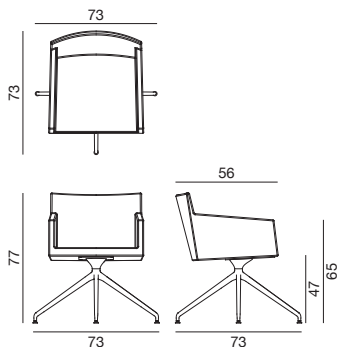
€ ART. 0404	A	B COM	C COL	D	E	F	G	H	I	J	K	L	M
UPHOLSTERED	839	876	913	950	987	1024	1061	1098	1135	1172	1209	1246	1283

SHIPMENT DETAILS	TECHNICAL SPECIFICATIONS	RESISTANCE TEST
<b>Art.0404</b> 1 pz = 1  - kg 15,1/ m³ 0,26	<b>Art.0404</b> COL requirement m² 3.01 H 140 cm. COM Meterage ml 1.98 Soft leather: standard ochre stitching. Other colours available upon request	<ul style="list-style-type: none"> <li>• EN 1728:2000 - EN 15373:2007 6.2.1</li> <li>• EN 1728:2000 - EN 15373:2007 6.2.2</li> </ul>
<b>FIRE RETARDANT TEST</b> BS5852 i.s. 5 Soft leather Elmosoft. Pro 3. Tonus 4. • California TB117-2013 Cava 3. Clara. Canvas. Divina MD. Divina Melange 2. Divina 3. Soft leather Elmosoft. Field. Hallingdal 65. Jet. Jumper 3. Pro 3. Soft leather. Pause 4. Remix 2. Savanna. Steelcut 2. Scuba. Steelcut Trio 2. Steelcut Trio 3. Sunniva. Sunniva 2. Tonus 4. Tempo. Faux leather Valencia. • BS5852 Sch. 4 Part 1 Soft leather Elmosoft. Pro 3. Soft leather. Tonus 4. • BS5852 Sch. 5 Part 1 Cava 3. Clara. Canvas. Divina MD. Divina 3. Soft leather Elmosoft. Hallingdal 65. Soft leather. Remix 2. Savanna. Steelcut 2. Steelcut Trio 2. Steelcut Trio 3. Tonus 4. Faux leather Valencia. • EN 1021 - 1 Divina Melange 2. Soft leather Elmosoft. Pro 3. • EN 1021 - 2 Divina Melange 2. Soft leather Elmosoft. Pro 3.		



# Masai

Design by Lievore Altherr Molina, 2001



Armchair with polished or powdercoated aluminum pedestal base. Polyethylene shell upholstered in leather, faux leather, fabric or customer's material.

Accessories:  
Set of glides Art. 2015

€ ART. 0410	A	B COM	C COL	D	E	F	G	H	I	J	K	L	M
POLISHED / POWDERCOATED	801	831	861	891	921	951	981	1011	1041	1071	1101	1131	1161

SHIPMENT DETAILS	TECHNICAL SPECIFICATIONS	RESISTANCE TEST
<b>Art.0410</b> 1 pz = 1  - kg 18,1/ m² 0,35	<b>Art.0410</b> COL requirement m² 2.57 H 140 cm, COM Meterage ml 1.65 Soft leather: standard ochre stitching, Other colours available upon request.	<ul style="list-style-type: none"> <li>• EN 1728:2000 - EN 15373:2007 6.15</li> <li>• EN 1728:2000 - EN 15373:2007 6.2.1</li> <li>• EN 1728:2000 - EN 15373:2007 6.7</li> <li>• EN 1335-3:2009 7.1</li> </ul>
<b>FIRE RETARDANT TEST</b> BS5852 i.s. 5 Soft leather Elmosoft. Pro 3. Tonus 4. • California TB117-2013 Cava 3 . Clara . Canvas . Divina MD . Divina Melange 2. Divina 3 . Soft leather Elmosoft. Field . Hallingdal 65. Jet . Jumper 3 . Pro 3. Soft leather. Pause 4 . Remix 2. Savanna . Steelcut 2 . Scuba . Steelcut Trio 2. Steelcut Trio 3. Sunniva . Sunniva 2. Tonus 4. Tempo . Faux leather Valencia. • BS5852 Sch. 4 Part 1 Soft leather Elmosoft. Pro 3. Soft leather. Tonus 4. • BS5852 Sch. 5 Part 1 Cava 3 . Clara . Canvas . Divina MD . Divina 3 . Soft leather Elmosoft. Hallingdal 65. Soft leather. Remix 2. Savanna . Steelcut 2 . Steelcut Trio 2. Steelcut Trio 3. Tonus 4. Faux leather Valencia. • EN 1021 - 1 Divina Melange 2. Soft leather Elmosoft. Pro 3. • EN 1021 - 2 Divina Melange 2. Soft leather Elmosoft. Pro 3.		

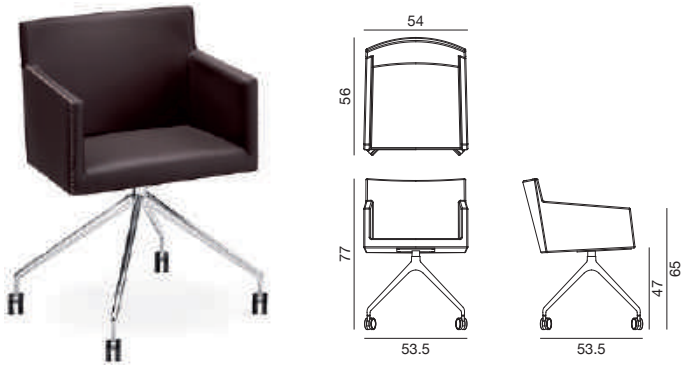
Frame Base



# Masai

Design by Lievore Altherr Molina, 2001

Armchair with polished or powdercoated aluminium pedestal base, mounted on selfbraking castors. The polyethylene shell is upholstered in leather, faux leather, fabric or customer's material.



€ ART. 0412	A	B COM	C COL	D	E	F	G	H	I	J	K	L	M
POLISHED / POWDERCOATED	837	867	897	927	957	987	1017	1047	1077	1107	1137	1167	1197

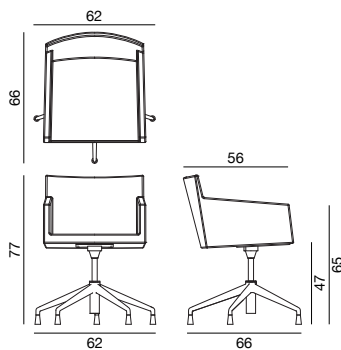
SHIPMENT DETAILS	TECHNICAL SPECIFICATIONS	RESISTANCE TEST
<b>Art.0412</b> 1 pz = 1  - kg 18,2/ m³ 0,35	<b>Art.0412</b> COL requirement m² 2.57 H 140 cm. COM Meterage ml 1.65 Soft leather: standard ochre stitching. Other colours available upon request.	
<b>FIRE RETARDANT TEST</b> BS5852 i.s. 5 Soft leather Elmosoft. Pro 3. Tonus 4. • California TB117-2013 Cava 3. Clara. Canvas. Divina MD. Divina Melange 2. Divina 3. Soft leather Elmosoft. Field. Hallingdal 65. Jet. Jumper 3. Pro 3. Soft leather. Pause 4. Remix 2. Savanna. Steelcut 2. Scuba. Steelcut Trio 2. Steelcut Trio 3. Sunniva. Sunniva 2. Tonus 4. Tempo. Faux leather Valencia. • BS5852 Sch. 4 Part 1 Soft leather Elmosoft. Pro 3. Soft leather. Tonus 4. • BS5852 Sch. 5 Part 1 Cava 3. Clara. Canvas. Divina MD. Divina 3. Soft leather Elmosoft. Hallingdal 65. Soft leather. Remix 2. Savanna. Steelcut 2. Steelcut Trio 2. Steelcut Trio 3. Tonus 4. Faux leather Valencia. • EN 1021 - 1 Divina Melange 2. Soft leather Elmosoft. Pro 3. • EN 1021 - 2 Divina Melange 2. Soft leather Elmosoft. Pro 3.		

## Frame Base



# Masai

Design by Lievore Altherr Molina, 2001



Armchair with polished aluminium five-star trestle base, fitted with return mechanism. The polyethylene shell is upholstered in leather, faux leather, fabric or customer's material.

€ ART. 0408	A	B COM	C COL	D	E	F	G	H	I	J	K	L	M
RETURN MECHANISM	945	975	1005	1035	1065	1095	1125	1155	1185	1215	1245	1275	1305

SHIPMENT DETAILS	TECHNICAL SPECIFICATIONS	RESISTANCE TEST
<b>Art.0408</b> 1 pz = 1 - kg 21,1/ m <sup>2</sup> 0,35	<b>Art.0408</b> COL requirement m <sup>2</sup> 2.57 H 140 cm. COM Meterage ml 1.65 Soft leather: standard ochre stitching. Other colours available upon request.	
<b>FIRE RETARDANT TEST</b> BS5852 i.s. 5 Soft leather Elmosoft. Pro 3. Tonus 4. • California TB117-2013 Cava 3 . Clara . Canvas . Divina MD . Divina Melange 2. Divina 3 . Soft leather Elmosoft. Field . Hallingdal 65. Jet . Jumper 3 . Pro 3. Soft leather. Pause 4 . Remix 2. Savanna . Steelcut 2 . Scuba . Steelcut Trio 2. Steelcut Trio 3. Sunniva . Sunniva 2. Tonus 4. Tempo . Faux leather Valencia. • BS5852 Sch. 4 Part 1 Soft leather Elmosoft. Pro 3. Soft leather. Tonus 4. • BS5852 Sch. 5 Part 1 Cava 3 . Clara . Canvas . Divina MD . Divina 3 . Soft leather Elmosoft. Hallingdal 65. Soft leather. Remix 2. Savanna . Steelcut 2 . Steelcut Trio 2. Steelcut Trio 3. Tonus 4. Faux leather Valencia. • EN 1021 - 1 Divina Melange 2. Soft leather Elmosoft. Pro 3. • EN 1021 - 2 Divina Melange 2. Soft leather Elmosoft. Pro 3.		

Frame Base

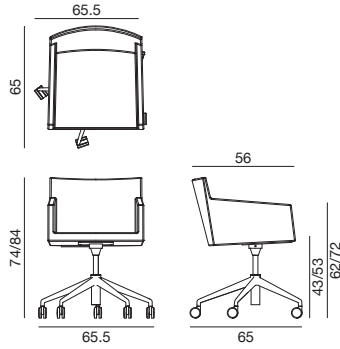


LU1



# Masai

Design by Lievore Altherr Molina, 2001



Armchair with polished aluminium five-star trestle base, fitted with gas height adjustment mechanism. The polyethylene shell is upholstered in leather, faux leather, fabric or customer's material.

€ ART. 0406	A	B COM	C COL	D	E	F	G	H	I	J	K	L	M	
GAS MECHANISM	913	943	973	1003	1033	1063	1093	1123	1153	1183	1213	1243	1273	

SHIPMENT DETAILS	TECHNICAL SPECIFICATIONS	RESISTANCE TEST
<b>Art.0406</b> 1 pz = 1  - kg 21,1/ m³ 0,35	<b>Art.0406</b> COL requirement m² 2.57 H 140 cm. COM Meterage ml 1.65 Soft leather: standard ochre stitching. Other colours available upon request.	
<b>FIRE RETARDANT TEST</b> BS5852 i.s. 5 Soft leather Elmosoft. Pro 3. Tonus 4. • California TB117-2013 Cava 3. Clara. Canvas. Divina MD. Divina Melange 2. Divina 3. Soft leather Elmosoft. Field. Hallingdal 65. Jet. Jumper 3. Pro 3. Soft leather. Pause 4. Remix 2. Savanna. Steelcut 2. Scuba. Steelcut Trio 2. Steelcut Trio 3. Sunniva. Sunniva 2. Tonus 4. Tempo. Faux leather Valencia. • BS5852 Sch. 4 Part 1 Soft leather Elmosoft. Pro 3. Soft leather. Tonus 4. • BS5852 Sch. 5 Part 1 Cava 3. Clara. Canvas. Divina MD. Divina 3. Soft leather Elmosoft. Hallingdal 65. Soft leather. Remix 2. Savanna. Steelcut 2. Steelcut Trio 2. Steelcut Trio 3. Tonus 4. Faux leather Valencia. • EN 1021 - 1 Divina Melange 2. Soft leather Elmosoft. Pro 3. • EN 1021 - 2 Divina Melange 2. Soft leather Elmosoft. Pro 3.		

Frame Base

