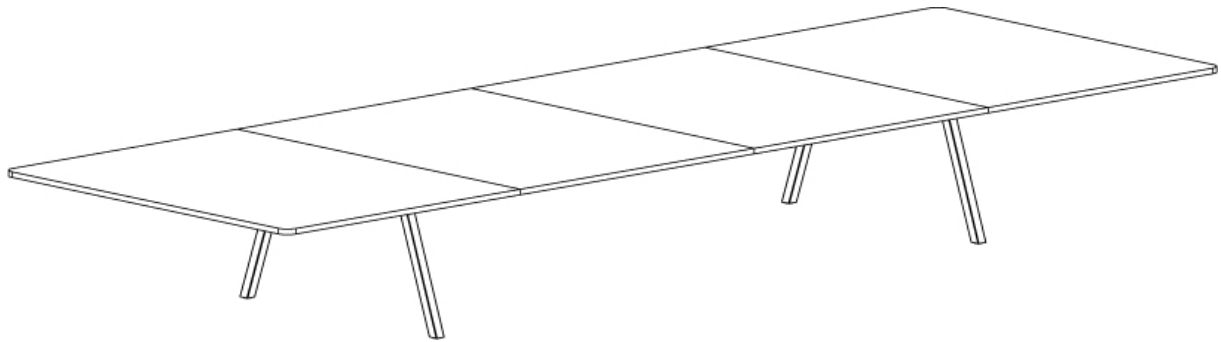


DeVorm

# BIG – Modular Table System

Installation guide



Don't like reading? We have an installation video too!  
Watch the video here:

[www.devorm.nl/wiki/installation-guides/big-table-system](http://www.devorm.nl/wiki/installation-guides/big-table-system)

**DURF**  
PROJECTINRICHTING

Voor meer informatie neem  
dan contact met ons op

☎ 085-016 09 99

Tools:

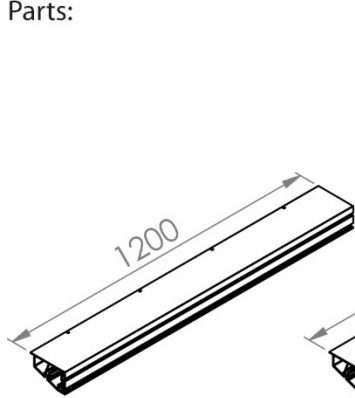


Nr.6

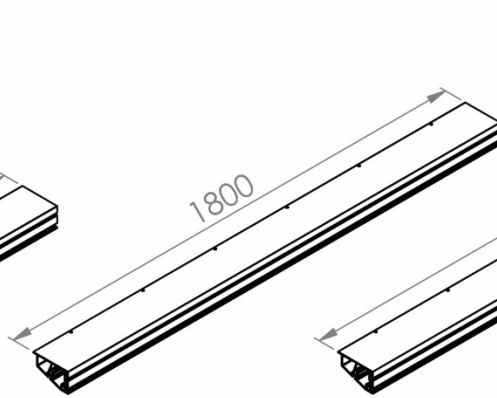
Nr.5

---

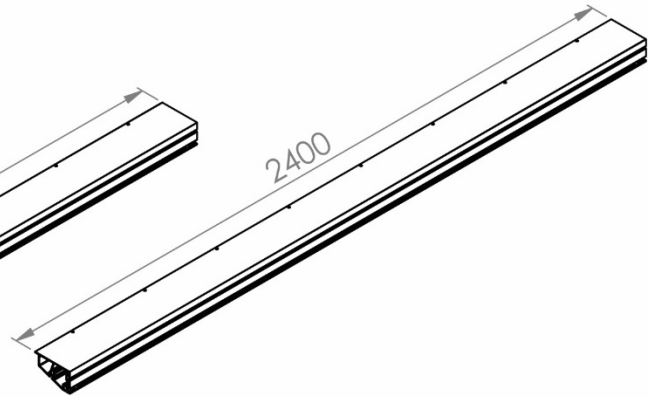
Parts:



Profile 1200 mm



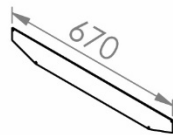
Profile 1800 mm



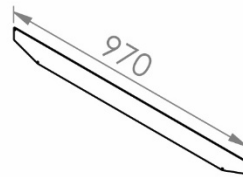
Profile 2400 mm



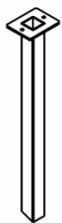
Frame cover - small



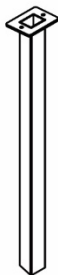
Frame cover - medium



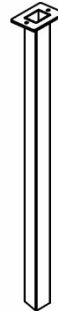
Frame cover - big



Big Table Legs  
74 cm



Big Bartable Legs  
95 cm



Big Bartable Legs  
110 cm



Cross bar - 160

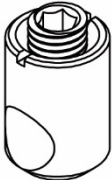


Cross bar - 410

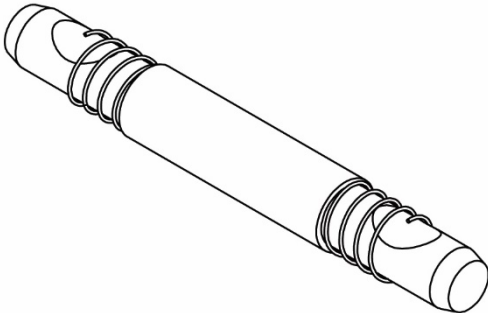


Cross bar - 710

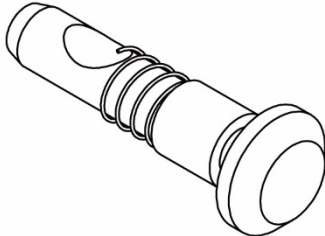
Connection material:



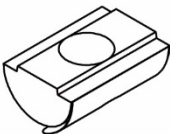
Bushing



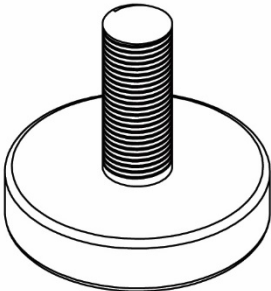
Extension connector



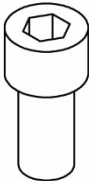
Universal connector



M8  
Sliding-nut



Adjustable foot



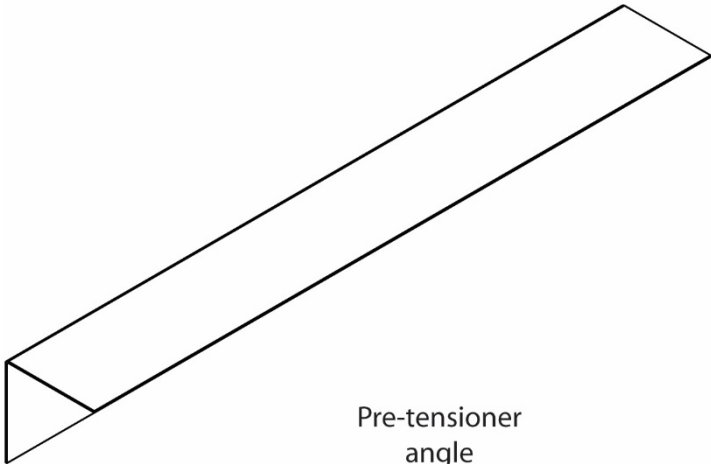
M8x16



5x16



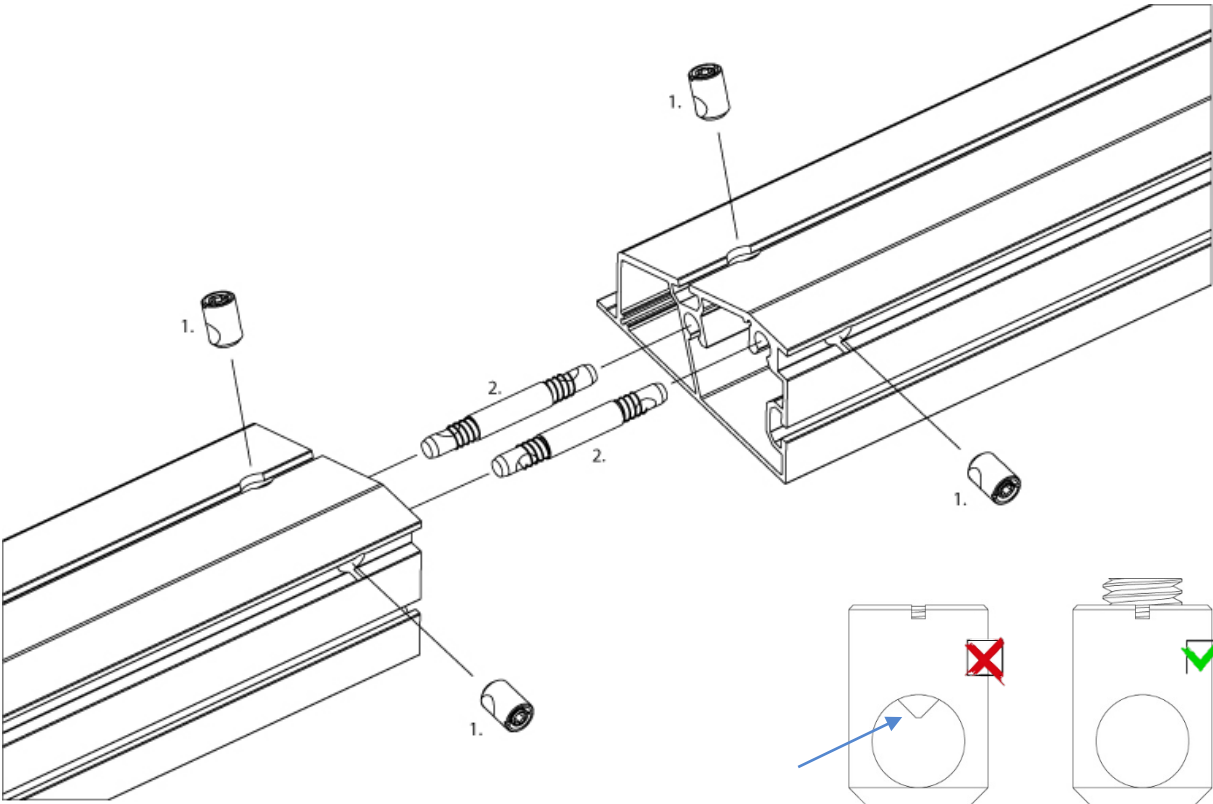
Self-tapping  
M3x10



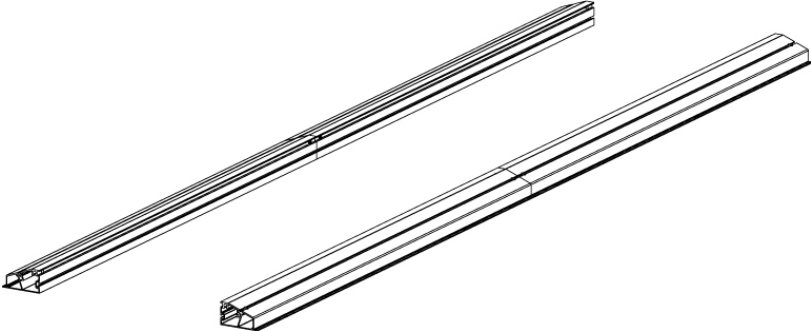
Pre-tensioner  
angle

Step 1 – Profile connecting

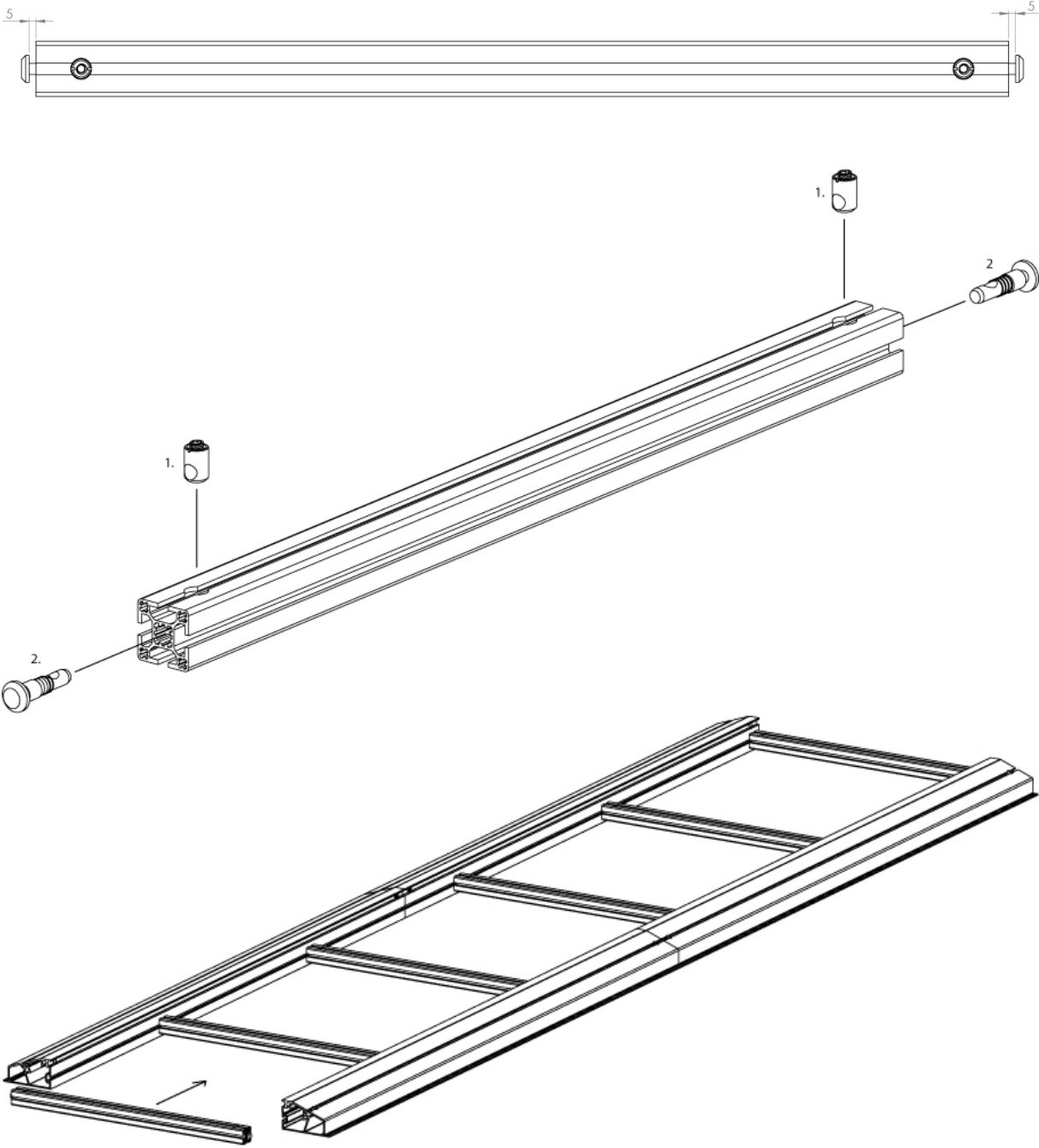
❖ Skip this step if your table is shorter than 340 cm and go to step 3.

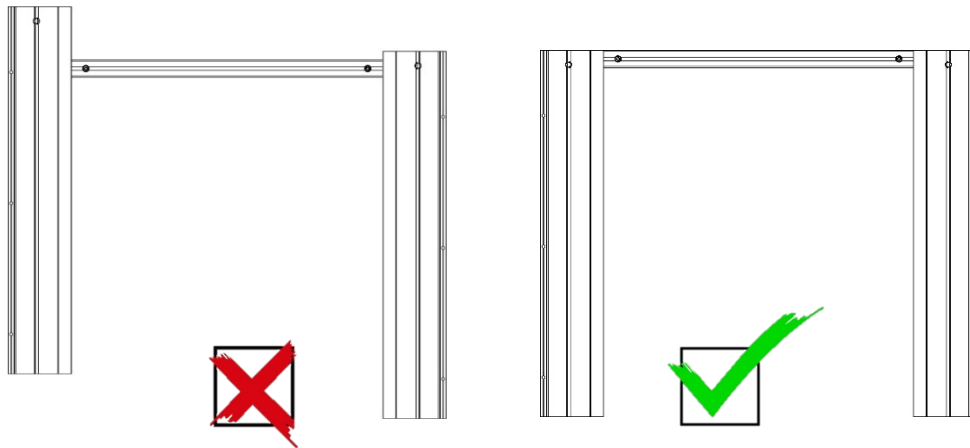
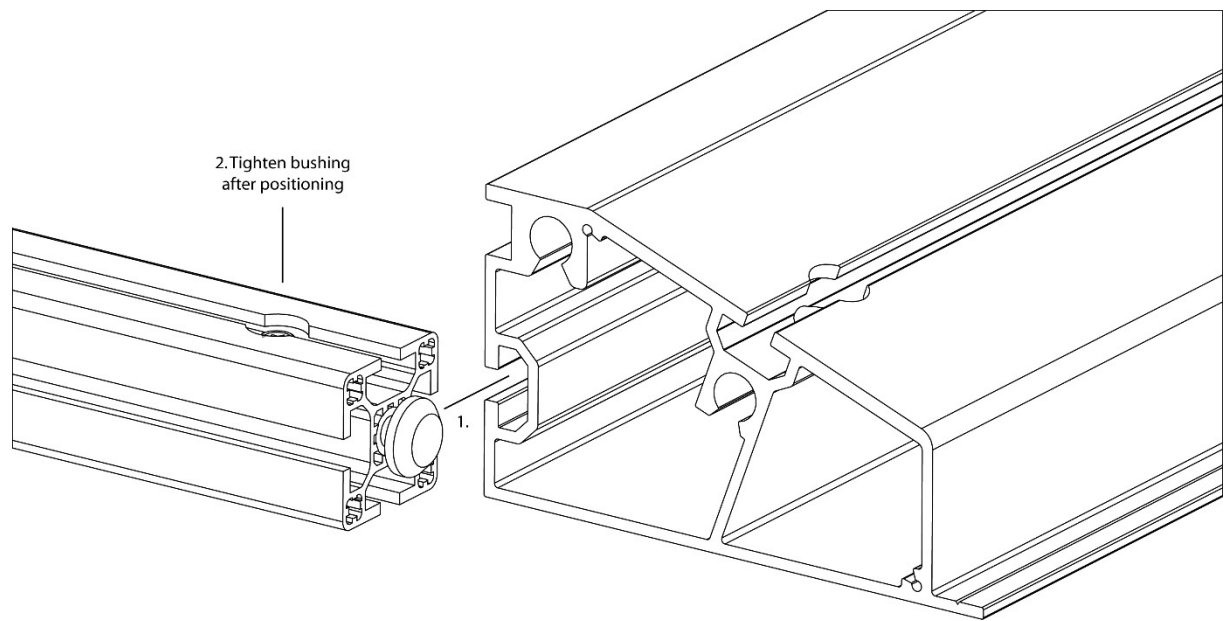


❖ Tighten the screws not too tight!



Step 2 – Crossbar insertion

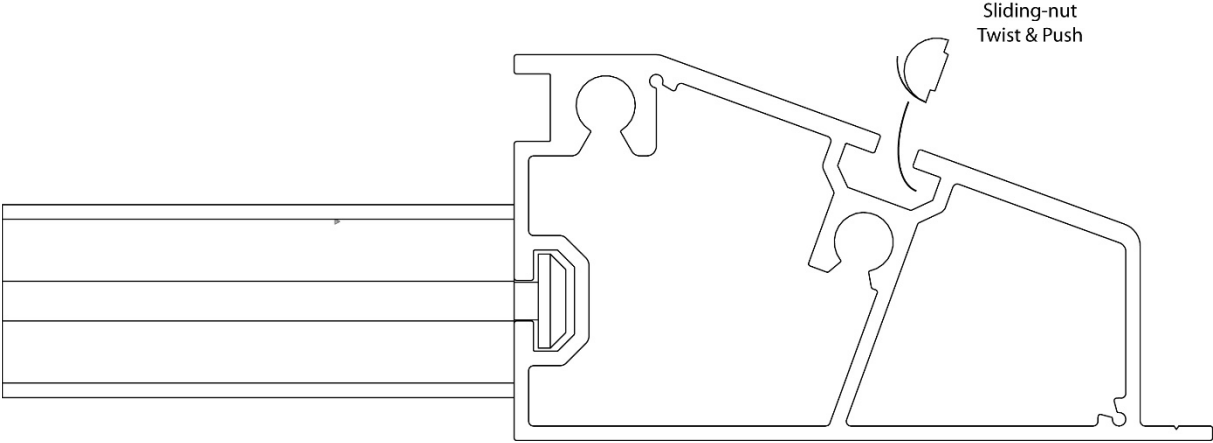
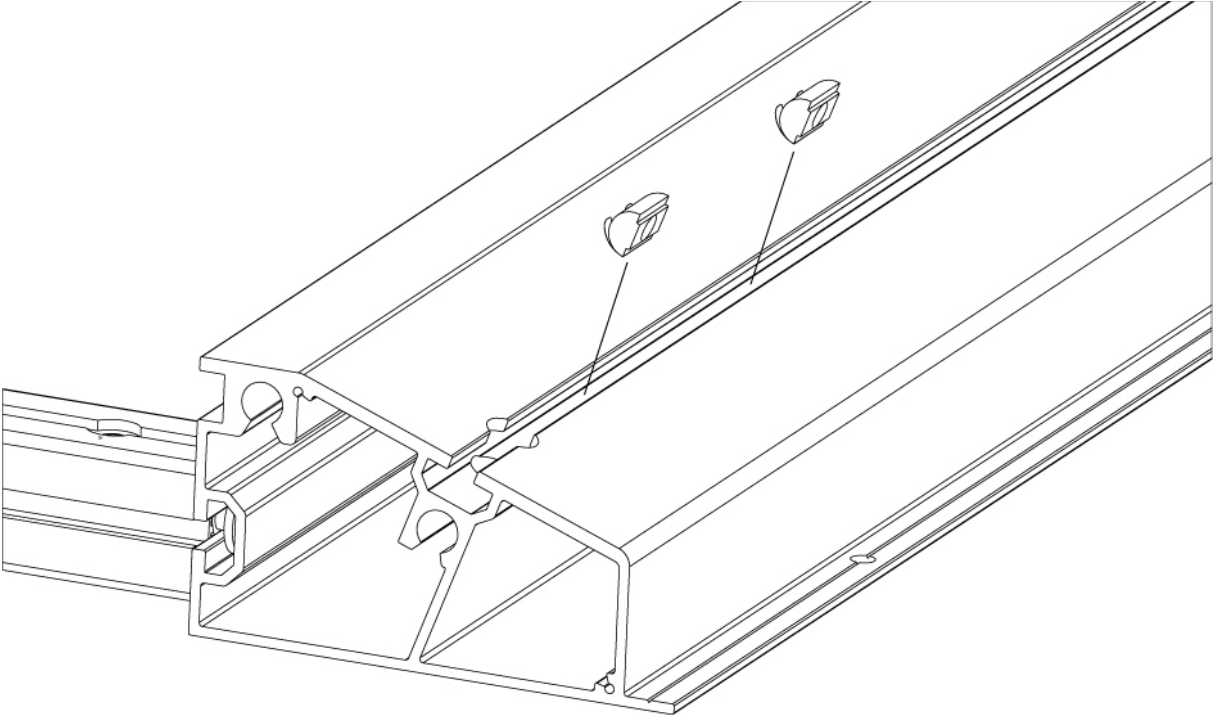




- ❖ The crossbar needs to align perfectly with the top ends of the 1200/1800/2400 mm profiles.

Step 3 – Sliding-nut

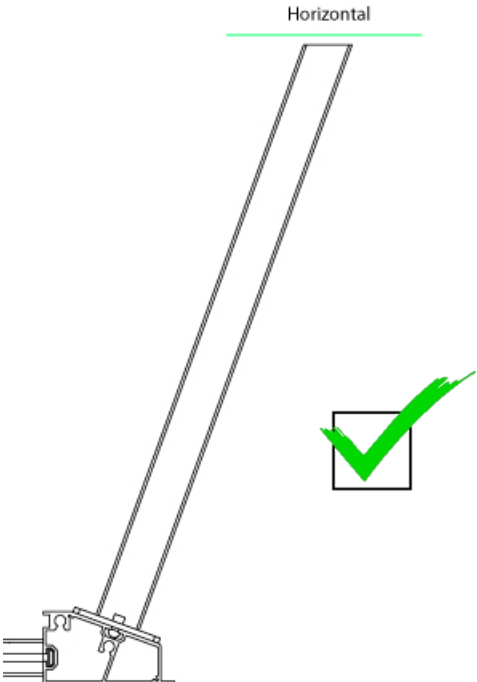
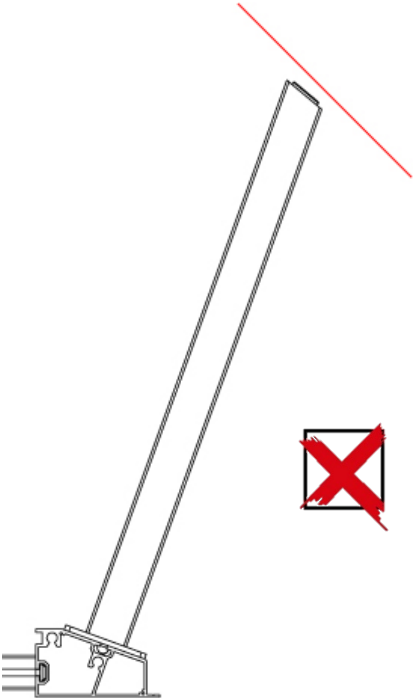
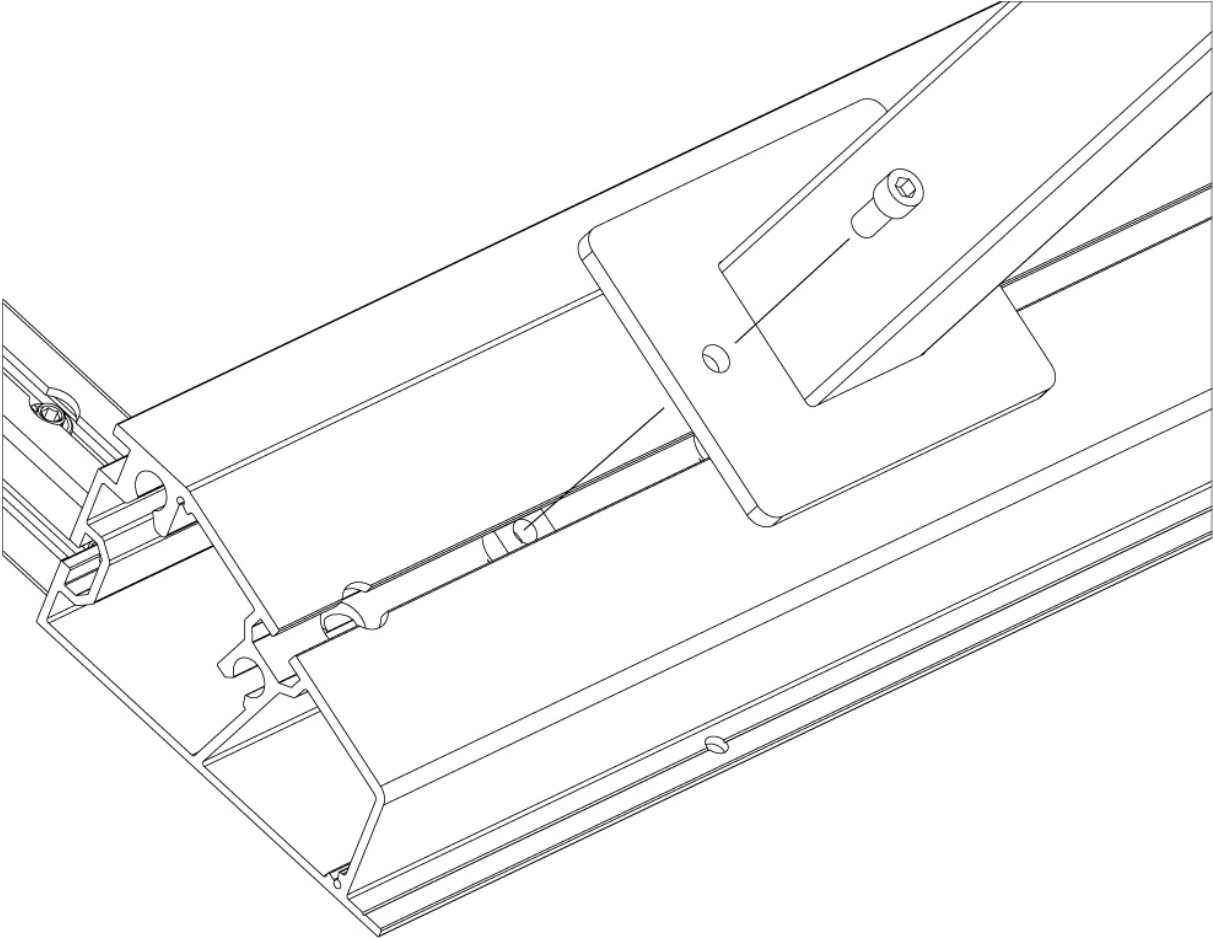
- ❖ 2 per leg



- ❖ Push the sliding-nut in at an angle and turn it 90° until the spring pushes the T-nut into place.

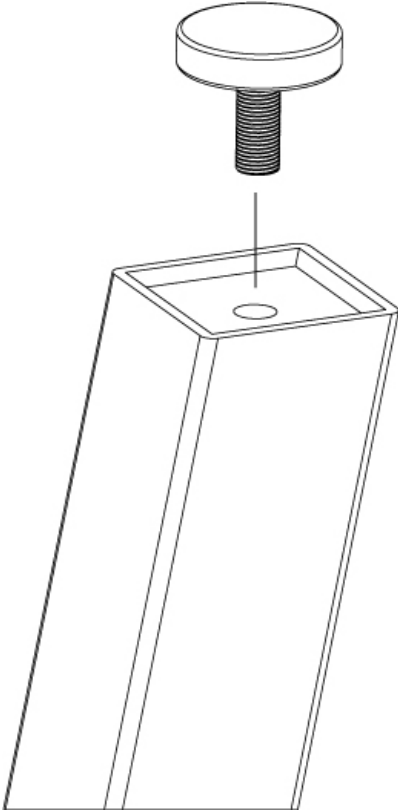
Step 4 – Mounting of table legs

- ❖ Allen key nr. 6



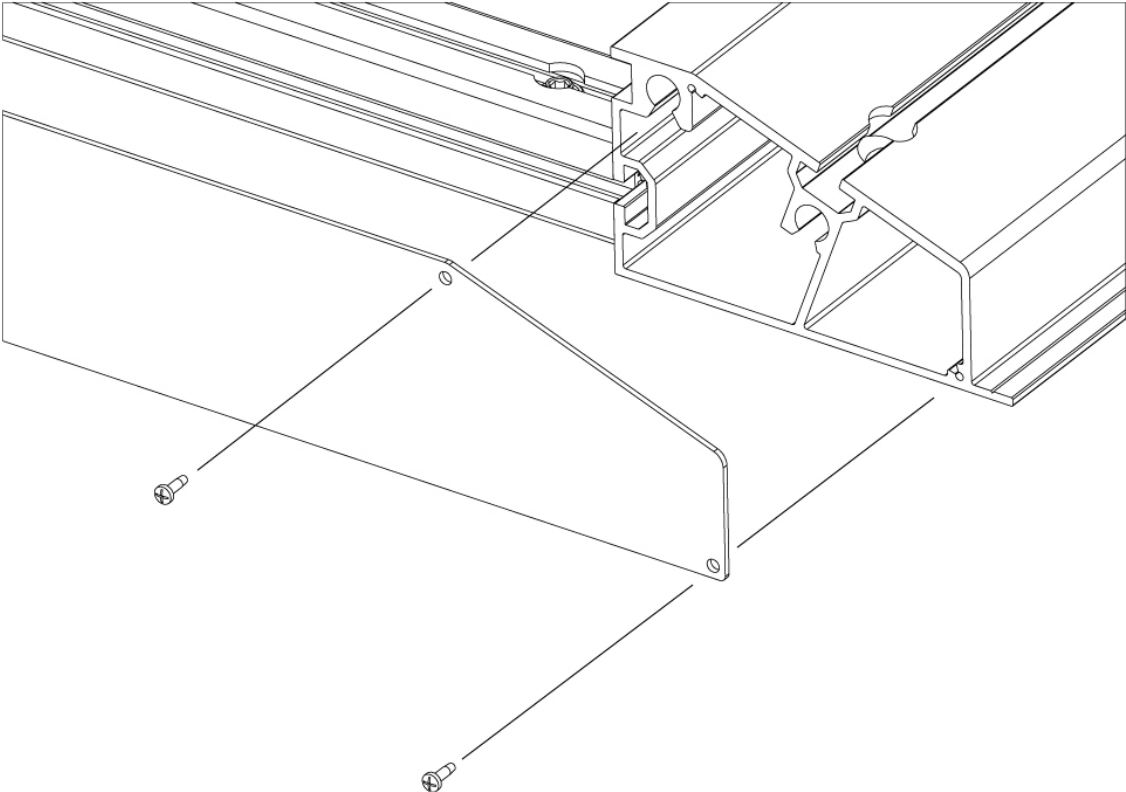


Step 5 – Adjustable foot

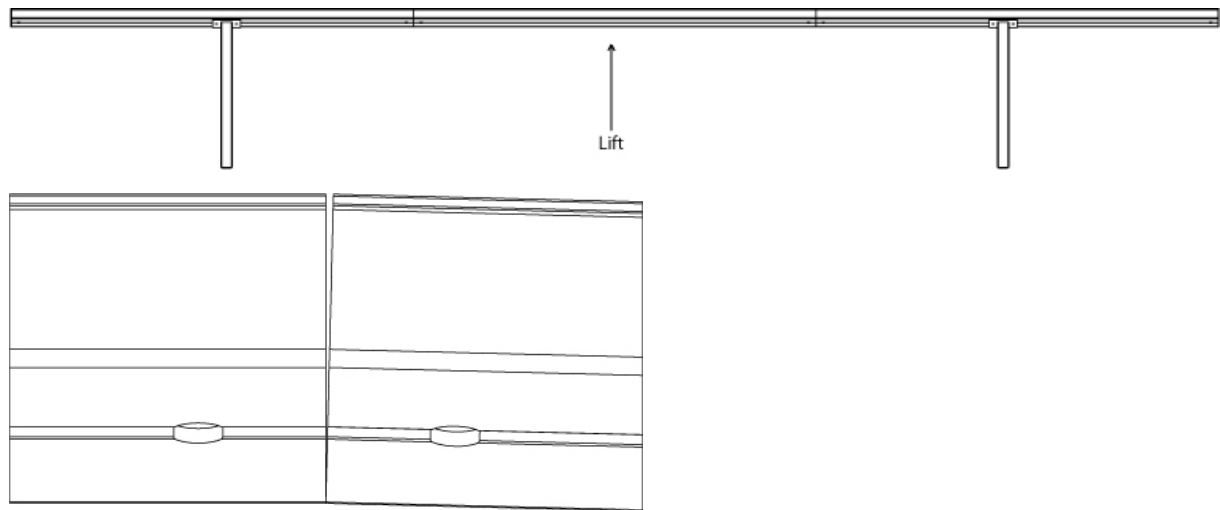


Step 6 – Mounting of frame cover

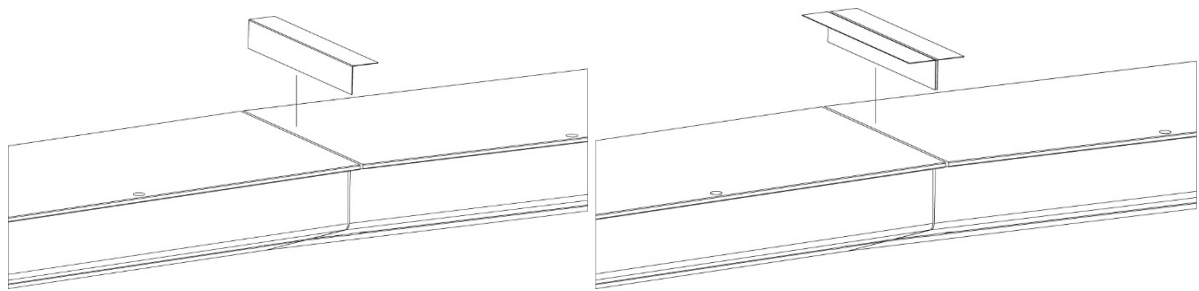
- ❖ 8x Self tapping M3x10mm screws



## Step 7 – Pre-tensioning



- ❖ By lifting the frame you are able to create space between the profiles. If this is not enough, unscrew the bushings a little.



- 3x 180cm profiles

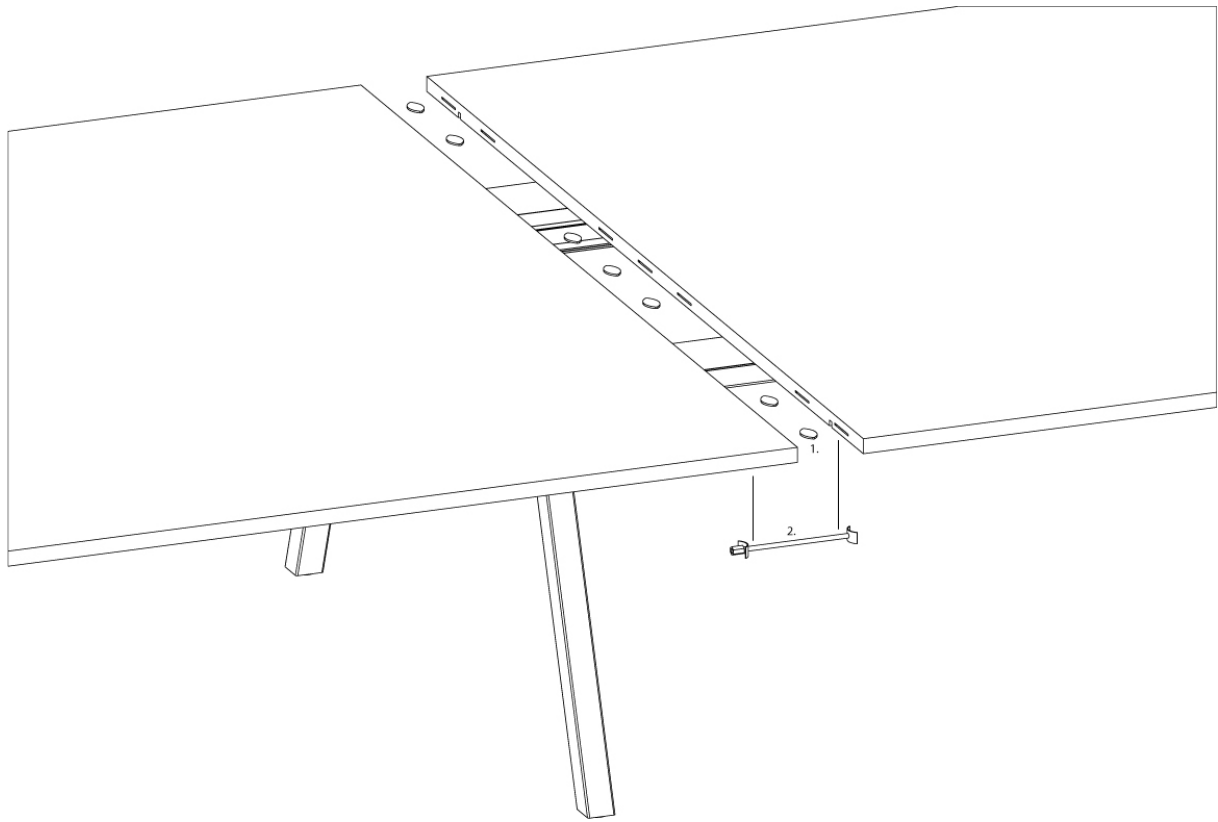
- 2x 240cm profiles

## Step 8 – Bushing tightening

- ❖ Screw all the Bushings finger-tight by hand! Tightening with a cordless drill is not permitted.
- ❖ Allen key nr. 5

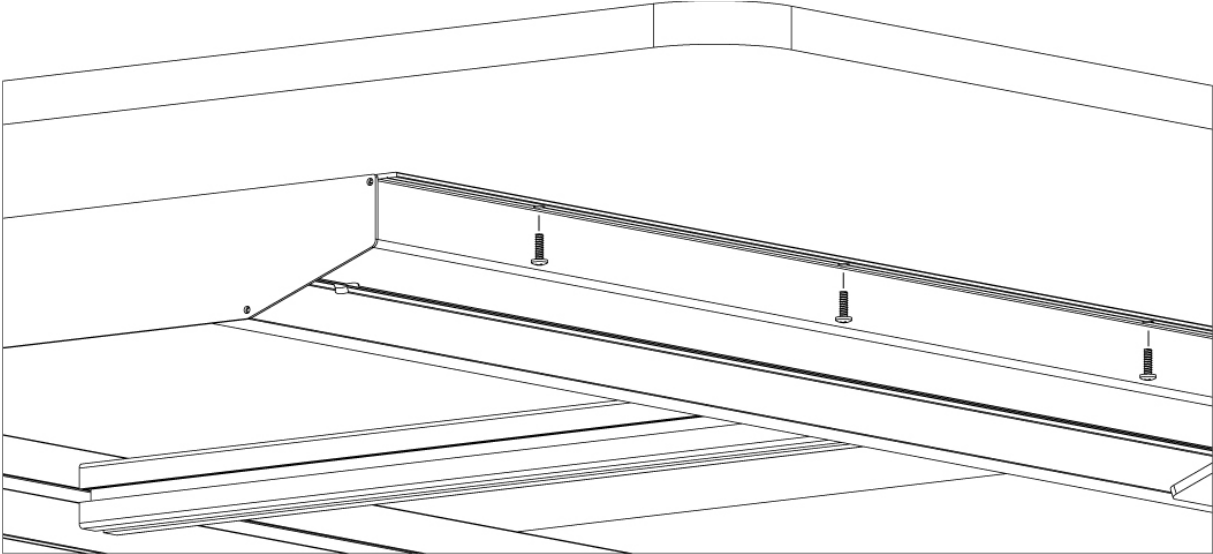
### Step 9 – Table top connecting

- ❖ Skip this step if your table top is made out of one piece.
- ❖ Table top connector use 'wrench' nr 10.



Step 10 – Table top fastening

- ❖ 5x16 screws



Step 11 – Finished!

